

Multi - Turn - Potentiometer DMG22 Ze Lt / DMG22 Ze Lt Hy

for mechanical adjustment, maintenance-free sliding bearing

The Multi – Turn – Potentiometer DMG 22 is fit with an aluminium housing and a maintenance-free sliding bearing to come up to industrial needs.

Therefore the DMG22 is a very precise and reliable 3, 5 or 10 –Turn-Potentiometer with an infinity resolution, adjustable by manual or mechanical operation.

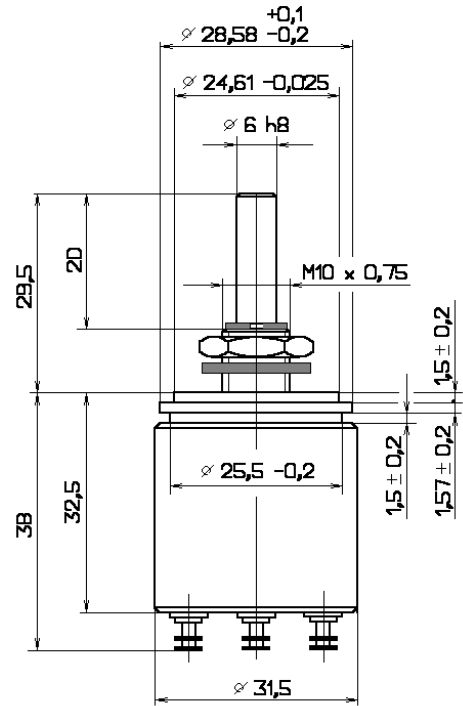


mechanical data

- 1.1 housing..... : aluminium
- 1.2 shaft..... : stainless steel $\varnothing 6^{h8}$
- 1.3 bearing..... : maintenance-free sliding bearing
- 1.4 resistor element..... : wirewound element, Hybrid
- 1.5 slider tap / wiper tap..... : noble metal
- 1.6 housing protection class : IP 62
- 1.7 type of connection..... : solder terminal
- 1.8 mounted by..... : bushing M10x0,75
- 1.9 mechanical travel..... : see table
- 1.10 electrical travel..... : see table
- 1.11 rotation speed..... : max. 120 rpm
- 1.12 torque..... : 0,6 Ncm
- 1.13 rotation load life..... : 2×10^6 shaft revolutions

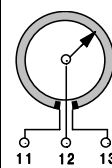
electrical data

- 2.1 resistance value..... : 1K ... 100KOhm
- 2.2 resistance tolerance..... : $\pm 5 \%$, Hybrid $+10\%$
- 2.3 linearity tolerance..... : $\pm 0,25 \%$
- 2.4 insulation tolerance..... : 1000 M-Ohm
- 2.5 test voltage..... : 1000 V
- 2.6 power rating..... : max. 2,0 Watt
- 2.7 temperature range..... : -25°C bis $+85^{\circ}\text{C}$
- 2.8 temperature coefficient..... : 150 ppm/ $^{\circ}\text{C}$



KD 24_020

Connection		Ordernumber	Type Hy=Hybridelement	Turns	Watt
Solder connection		24 131	DMG22 / 10 Ze Lt	10 turns	2,0
		24 281	DMG22 / 10 Ze Lt Hy		
		24 121	DMG22 / 05 Ze Lt	5 turns	1,5
Clamp connection		24 132	DMG22 / 10 Ze Rk	10 turns	2,0
		24 282	DMG22 / 10 Ze Rk Hy		
		24 122	DMG22 / 05 Ze Rk	5 turns	1,5
Cable connection		24 133	DMG22 / 10 Ze Ka	10 turns	2,0
		24 283	DMG22 / 10 Ze Ka Hy		
		24 123	DMG22 / 05 Ze Ka	5 turns	1,5
		24 113	DMG22 / 03 Ze Ka	3 turns	1,0



Anschlussplan

Punkt	Funktion
11	Wicklung 1
12	Schleifer 1
13	Wicklung 1

article #: 244.051010
sheet: KE2410.DOC
updated: 19.04.01
order #: 24420
side: 24 - 08